

4

3

2

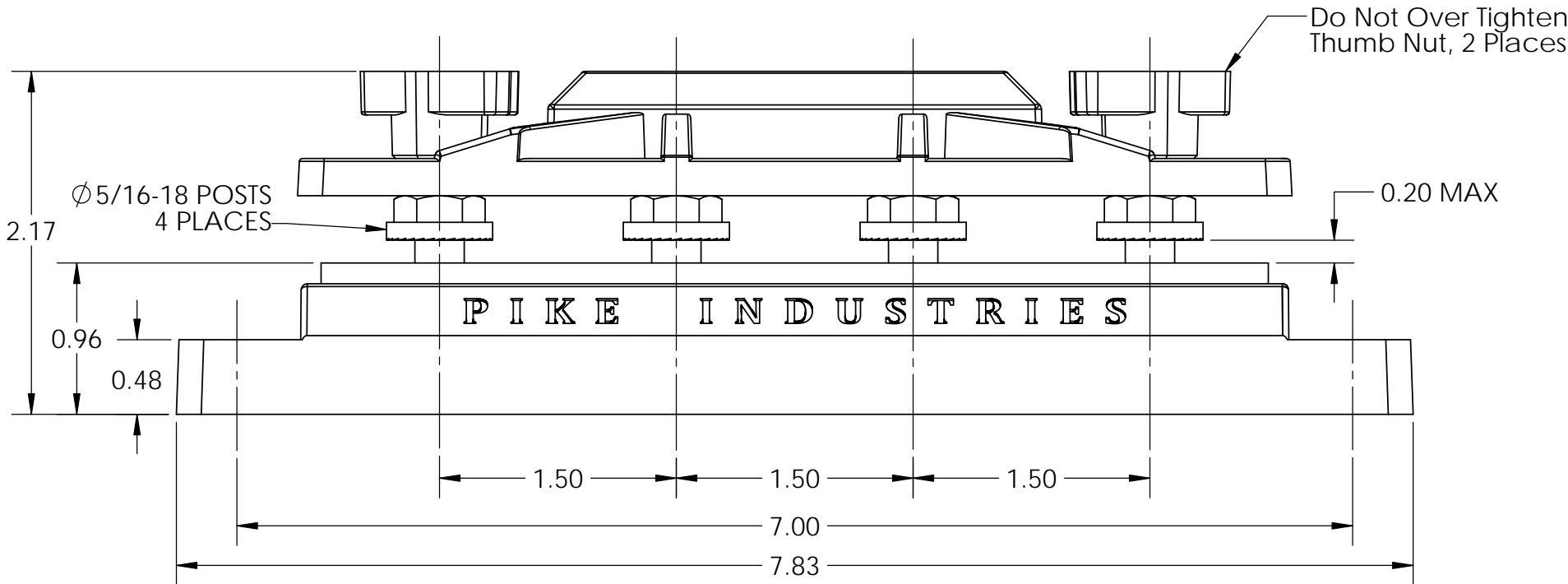
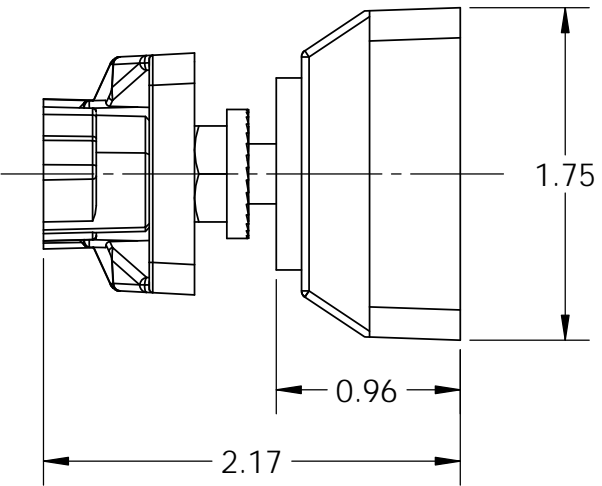
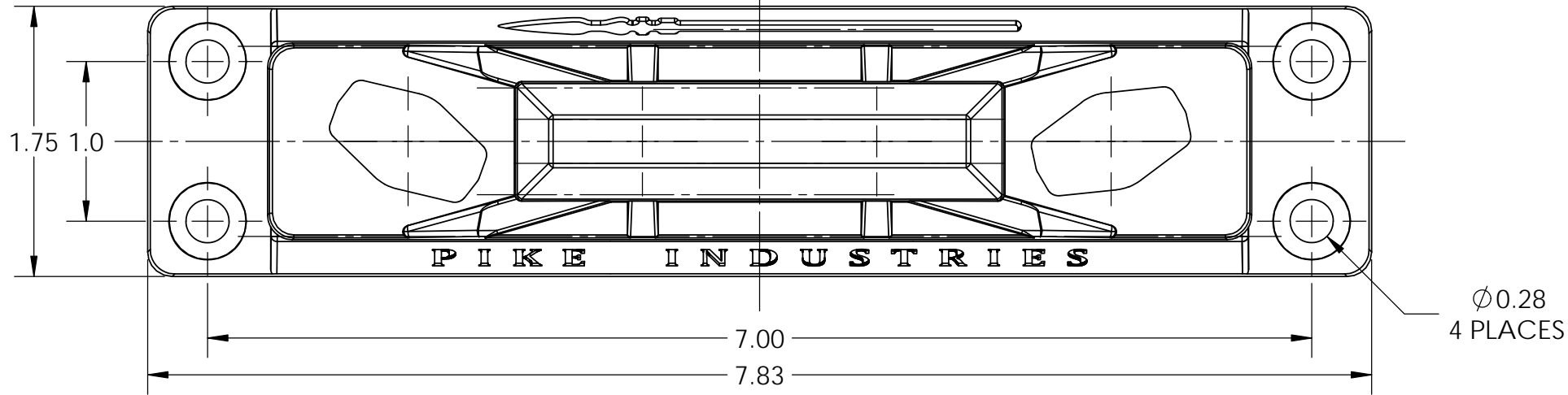
1

B

B

A

A



MK1: HT5066 400A BUS BAR

Voltage: 6-48_VDC Nominal \diamond 1

Current: 400_A

Weight: 1.17_LB

Terminal Post Torque: 13_ft*lb

Mounting Bolt Torque: 5_ft*lb

Thumb Nut: 2_in*lb

Material:

- ABS PLASTIC HOUSING (Red or Black)
- COPPER BUS BAR
- 1/4" x 1" x 6" Copper (CDA 110/UNS C11000)
- BRIGHT TIN PLATED (ASTM B545-13)
- 5/16-18 TERMINAL POSTS
- Grd 5 Zinc Plated or 316 S.S.

\diamond 1 Do Not Exceed 75VDC

| | | |
|--------------|----------|--------------|
| TITLE: | | |
| 400A BUS BAR | | |
| SIZE | DWG. NO. | REV |
| B | HT5066 | 0 |
| SCALE: 1:1 | | SHEET 1 OF 1 |

PROPRIETARY
THE INFORMATION CONTAINED IN THIS
DRAWING IS THE SOLE PROPERTY OF
PIKE INDUSTRIES.



4

3

2

1